



CU1526 / CU2026 - 150lb / 200lb Self-Contained Ice Machine

Prodigy® Undercounter Cuber with Storage



CU1526 / CU2026

Features and Benefits

- Prodigy® undercounter cubers use significantly less energy and water than other cube ice machines, exceeding Federal energy efficiency regulations.
- AutoAlert™ control panel can communicate operating status and signal when it's time to descale, sanitize and more- making upkeep easier.
- The patented WaterSense adaptive purge control delivers maximum reliability by reducing scale buildup for a longer time between cleanings.
- All external panel components are crafted for optimal aesthetic appeal through superior fit and finish.
- Preventative maintenance is simpler than ever with easily-removed door, top panel and storage bin allowing clear access to all internal components and a diagnostic code display insuring the right fix the first time.
- Front removable air filter.
- Includes ice scoop, 6" adjustable legs and 6' power cord.

CU1526 / CU2026 - 150lb / 200lb
Self-Contained Ice Machine



Front Air Filter



24 Hour Volume Production

| | Air Cooled | | Water Cooled | | | |
|---------|------------------------|--------------|------------------------|------------------------|--------------|------------------------|
| | 70°F/21°C 50°F/10°C | Air Water | 90°F/32°C 70°F/21°C | 70°F/21°C 50°F/10°C | Air Water | 90°F/32°C 70°F/21°C |
| CU1526: | 150/68 | | 110/50 | 175/80 | | 124/56 |
| CU2026: | 200/91 | | 155/70 | 240/109 | | 190/83 |
| | lb/kg | | lb/kg | lb/kg | | lb/kg |



Cube Ice

Common ice form, ideal for mixed drinks.



Small Cube
7/8" x 7/8" x 3/8"
(2.22 x 2.22 x .95 cm)



Medium Cube
7/8" x 7/8" x 7/8"
(2.22 x 2.22 x 2.22 cm)



Certification



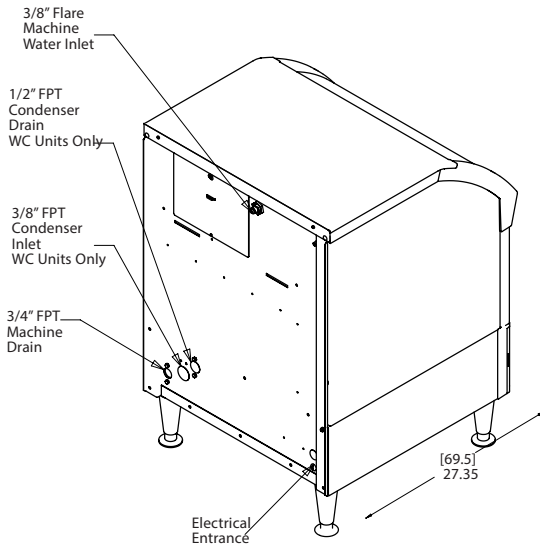
Warranty

- 3 years parts and labor on all components.
- 5 years parts and labor on the evaporator.
- 5 years parts on the compressor and condenser.
- Warranty valid in North, South & Central America for commercial installations.
- Contact factory for warranty in other regions.



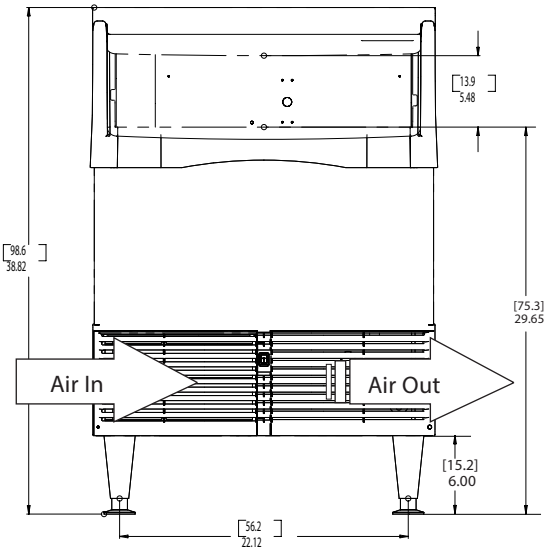
CU1526 / CU2026 - 150lb / 200lb Self-Contained Ice Machine

Prodigy® Undercounter Cuber with Storage



CU1526 / CU2026

Installation Note: Allow 6" at back for utility connections



CU1526/CU2026 front view



Specifications

| Model Number* | Condenser Unit | Storage lb/kg | Basic Electrical Volts/Hz/Phase | Max. Fuse Size or HACR Circuit Breaker (amps) | Circuit Wires | Min. Circuit Ampacity | Energy Consumption kWh/100 lb (45.4 kg) 90°F(32°C)/70°F(21°C) | Water Usage Gallons/100 lb (liters/45.4 kg) | | |
|----------------------------|----------------|---------------|---------------------------------|---|---------------|-----------------------|---|---|---------------------------------|---------|
| | | | | | | | | Potable 90°F(32°C)/70°F(21°C) | Condenser 90°F(32°C)/70°F(21°C) | |
| Cube Size: medium or small | | | | | | | | | | |
| med. | CU1526MA-1 | Air | 80/36 | 115/60/1 | 15 | 2 | Cord | 11.5 | 18.0/68.2 | - |
| | CU1526MW-1 | Water | 80/36 | 115/60/1 | 15 | 2 | Cord | 8.8 | 18.0/68.2 | 160/606 |
| | CU2026MA-1 | Air | 80/36 | 115/60/1 | 15 | 2 | Cord | 9.7 | 18.0/68.2 | - |
| | CU2026MA-32 | Air | 80/36 | 208-230/60/1 | 15 | 2 | Cord | 9.7 | 18.0/68.2 | - |
| sm. | CU1526SA-1 | Air | 80/36 | 115/60/1 | 15 | 2 | Cord | 11.5 | 18.0/68.2 | - |
| | CU1526SW-1 | Water | 80/36 | 115/60/1 | 15 | 2 | Cord | 8.8 | 18.0/68.2 | 160/606 |
| | CU2026SA-1 | Air | 80/36 | 115/60/1 | 15 | 2 | Cord | 9.7 | 18.0/68.2 | - |
| | CU2026SW-1 | Water | 80/36 | 115/60/1 | 15 | 2 | Cord | 6.6 | 18.0/68.2 | 180/682 |



All Models

Dimensions (W x D x H):

Unit: 26" x 27 3/8" x 33" *
(66.0 x 69.5 x 83.8 cm)
* Add 6" for legs.

Shipping Carton: 29" x 30" x 37"
(73.7 x 76.2 x 94.0 cm)

Shipping Weight: CU1526: 150lb / 68kg
CU2026: 175lb / 80kg

BTUs per hour: CU1526: 3,100
CU2026: 3,900

Refrigerant: R-404A



Accessories

Model Number

Description

KLP8S
KPUFM26

Kit 6 inch leg SS
Kit Prodigy undercounter floor mount 26 inch for CU1526 - CU2026 (add .5" to height)

Scotsman recommends all ice machines have water filtration. See Scotsman water filter specification sheet for details.



Operating Requirements

| | Minimum | Maximum |
|--------------------|-------------------|-------------------|
| Air Temperatures | 50°F (10°C) | 100°F (38°C) |
| Water Temperatures | 40°F (4.4°C) | 100°F (38°C) |
| Remote Cond. Temps | -20°F (-29°C) | 120°F (49°C) |
| Water Pressures | 20 PSIG (1.4 bar) | 80 PSIG (5.5 bar) |
| Electrical Voltage | -5% | +10% |

Specifications and design are subject to change without notice.

CU1526 / CU2026 - 150lb / 200lb Self-Contained Ice Machine